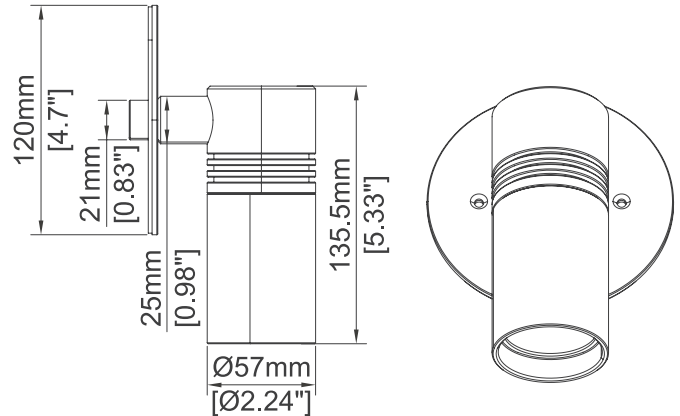
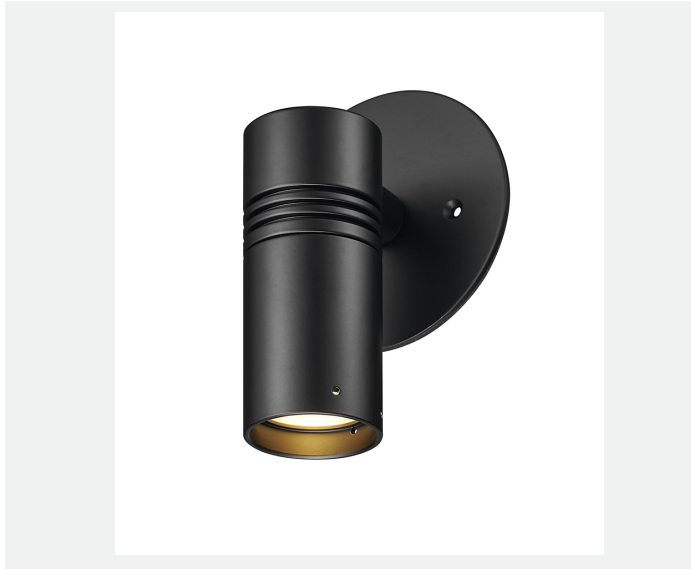


Specification sheet

REV.1

FL460
Outdoor Wall



Description

Elevate your outdoor space with MACRON Light's extensive of lighting solutions. From ceiling surface, wall surface-mounted, and even floor surface-mounted options, We promised waterproof IP of 66, 4 outdoor-rated powder coat finishes and 2 different beam angles. we have the perfect fixture for your outdoor needs.

Features

| | |
|--------------------------|---|
| LED | Lumiled Luxeon COB1203 |
| Color temperature | 2700K/ 3000K/ 3500K/ 4000K |
| Optics | Spot 26° / Medium 33° |
| Driver | Integrated class 2 driver, power factor >0.90 Output current 400mA |

Performance

| | |
|--------------------------|------------------------------|
| Delivered output | Up to 256 lm(90+ CRI) |
| Power consumption | 6.6 W |
| Color rendering | 90+ CRI |
| CBCP | Spot 1203 cd / Medium 659 cd |

Lumen maintenance L80 B10 50,000 Hours

Ordering Code Information

| PRODUCT | SHAPE | LENGTH | COLOR TEMPERATURE | FINISH | BEAM ANGLE | COLOR RENDERING |
|-------------------------|-----------|------------------|--|--|--|-----------------|
| FL 460 | R | 10 | 27 | WH | S | 9 |
| FL 460, Outdoor Wall | R (Round) | 10 (100 mm) (4") | 27 (2700K) 30 (3000K) 35 (3500K) 40 (4000K) | WH (White) BK (Black) BZ (Bronze) SA (Silver) | S (Spot / 25 deg.) M (Medium / 33 deg.) | 9 (90 CRI+) |

Electrical and Control

| | |
|----------------------|-------------------------------------|
| Input voltage | See the ordering code |
| Control | TRIAC/ELV/0-10V Dimming |
| Feature | Overload & short circuit protection |

Construction

| | |
|-----------------|--|
| Material | Casting & Extrusion grade Aluminum Alloy |
| Finishes | Black / White / Bronze / Silver |

Optics TIR Lens

Rating/ Certification/ Warranty

- Dry and damp Locations
- RoHS compliant
- 5 years/ 50,000 hrs warranty
- IP 66

Photometrics

6.6W | 90CRI | 3000K

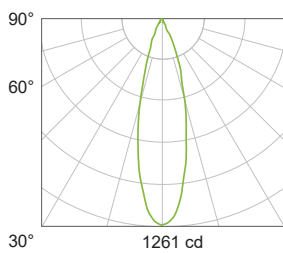
MULTIPLYING FACTORS: (Multiplying Factor is based on 3000K-90+ CRI IES file on website)

| CCT | 2700K-80+ | 3000K-80+ | 3500K-80+ | 4000K-80+ |
|---------|-----------|-----------|-----------|-----------|
| Factors | 1.12 | 1.15 | 1.17 | 1.22 |

| CCT | 2700K-90+ | 3000K-90+ | 3500K-90+ | 4000K-90+ |
|---------|-----------|-----------|-----------|-----------|
| Factors | 0.97 | 1.0 | 1.04 | 1.04 |

Medium 25°

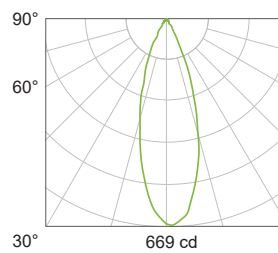
Delivered Output : 339 lm | CBCP : 1203 cd | Beam Angle : 25°



| Center Beam Intensity | Beam Width | Height |
|-----------------------|------------|--------|
| 1261 lx | 47cm | 1m |
| 315 lx | 93cm | 2m |
| 140 lx | 140cm | 3m |
| 79 lx | 187cm | 4m |
| 50 lx | 234cm | 5m |

Medium 33°

Delivered Output : 659 lm | CBCP : 669 cd | Beam Angle : 33°



| Center Beam Intensity | Beam Width | Height |
|-----------------------|------------|--------|
| 667 lx | 60cm | 1m |
| 167 lx | 120cm | 2m |
| 74 lx | 180cm | 3m |
| 42 lx | 239cm | 4m |
| 27 lx | 299cm | 5m |