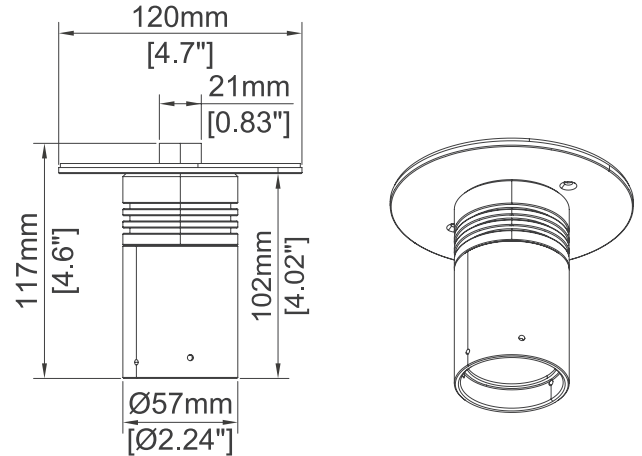
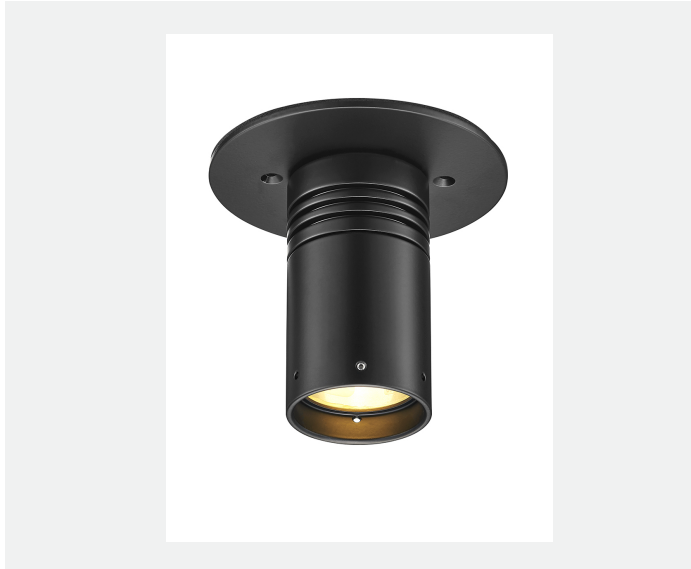


# Specification sheet

REV.1

FL450  
Outdoor Surface Cylinder



## Description

Elevate your outdoor space with MACRON Light's extensive of lighting solutions. From ceiling surface, wall surface-mounted, and even floor surface-mounted options, We promised waterproof IP of 66, 4 outdoor-rated powder coat finishes and 2 different beam angles. we have the perfect fixture for your outdoor needs.

## Features

<b>LED</b>	Lumiled Luxeon COB1203
<b>Color temperature</b>	2700K/ 3000K/ 3500K/ 4000K
<b>Optics</b>	Spor 26° / Medium 33°
<b>Driver</b>	Integrated class 2 driver, power factor >0.90 Output current 400mA

## Performance

<b>Delivered output</b>	Up to 256 lm(90+ CRI)
<b>Power consumption</b>	6.6 W
<b>Color rendering</b>	90+ CRI
<b>CBCP</b>	Spot 1203 cd / Medium 659 cd

**Lumen maintenance** L80 B10 50,000 Hours

## Ordering Code Information

PRODUCT	SHAPE	LENGTH	COLOR TEMPERATURE	FINISH	BEAM ANGLE	COLOR RENDERING
FL 450	R	10	27	WH	S	9
FL 450, Outdoor Surface Cylinder	R (Round)	10 (100 mm) (4")	27 (2700K) 30 (3000K) 35 (3500K) 40 (4000K)	WH (White) BK (Black) BZ (Bronze) SA (Silver)	S (Spot / 25 deg.) M (Medium / 33 deg.)	9 (90 CRI+)

## Electrical and Control

<b>Input voltage</b>	See the ordering code
<b>Control</b>	TRIAC/ELV/0-10V Dimming
<b>Feature</b>	Overload & short circuit protection

## Construction

<b>Material</b>	Casting & Extrusion grade Aluminum Alloy
<b>Finishes</b>	Black / White / Bronze / Silver

<b>Optics</b>	TIR Lens
---------------	----------

## Rating/ Certification/ Warranty

- Dry and damp Locations
- RoHS compliant
- 5 years/ 50,000 hrs warranty
- IP 66

Photometrics

6.6W | 90CRI | 3000K

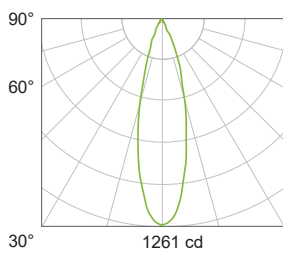
MULTIPLYING FACTORS: (Multiplying Factor is based on 3000K-90+ CRI IES file on website)

CCT	2700K-80+	3000K-80+	3500K-80+	4000K-80+
Factors	1.12	1.15	1.17	1.22

CCT	2700K-90+	3000K-90+	3500K-90+	4000K-90+
Factors	0.97	1.0	1.04	1.04

Medium 25°

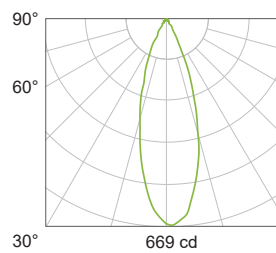
Delivered Output : 339 lm | CBCP : 1203 cd | Beam Angle : 25°



Center Beam Intensity	Beam Width	Height
1261 lx	47cm	1m
315 lx	93cm	2m
140 lx	140cm	3m
79 lx	187cm	4m
50 lx	234cm	5m

Medium 33°

Delivered Output : 659 lm | CBCP : 669 cd | Beam Angle : 33°



Center Beam Intensity	Beam Width	Height
667 lx	60cm	1m
167 lx	120cm	2m
74 lx	180cm	3m
42 lx	239cm	4m
27 lx	299cm	5m