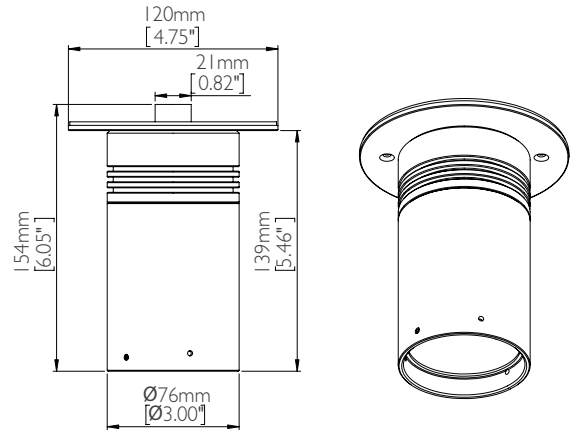


Specification sheet

REV.1

CLSFL550
Outdoor, Line Voltage



Description

Elevate your outdoor space with MACRON Light's extensive of lighting solutions. From ceiling surface, wall surface-mounted, and even floor surface-mounted options. We promised waterproof IP67, outdoor-rated powder coat finishes and 4 different beam angles. We have the perfect fixture for your outdoor needs.

Features

LED	Bridgelux V13
Color temperature	2700K/ 3000K/ 3500K/ 4000K
Optics	Spot 26° / Medium 32° / Wide 43° / Flood 54°
Driver	Integrated class 2 driver, power factor >0.90 Output current 450mA

Performance

Efficacy	Up to >1700lm(90+ CRI)
Power consumption	17 W , >95LM/W
Color rendering	90+ CRI
CBCP	Spot 7003 cd / Medium 5720 cd Wide 3062 cd / Flood 2129 cd

Lumen maintenance L80 B10 50,000 Hours

Ordering Code Information

PRODUCT	INPUT/DIMMING	COLOR TEMPERATURE	FINISH	BEAM ANGLE	COLOR RENDERING
CLSFL 550	1E	27	WH	S	9
CLSFL 550, Outdoor	1E 120V input TRIAC / ELV diming	27 (2700K) 30 (3000K) 35 (3500K) 40 (4000K)	WH (White) BK (Black) BZ (Bronze) SA (Silver)	S (Spot / 26 deg.) M (Medium / 32 deg.) W (Wide 43 deg.) F (Flood 54 deg.)	9 (90 CRI+)

Electrical and Control

Input voltage	120V-277V
Control	0-10V/TRIAC/ELV Dimming
Feature	Overload & short circuit protection

Construction

Material	Casting & Extrusion grade Aluminum Alloy
Finishes	Black / White / Bronze / Silver

Optics Interchangeable optics

Rating/ Certification/ Warranty

- Wet location
- RoHS compliant
- 5 years/ 50,000 hrs warranty
- IP 67

Specification sheet

REV.1

CLSFL550
Outdoor, Line Voltage

Photometrics

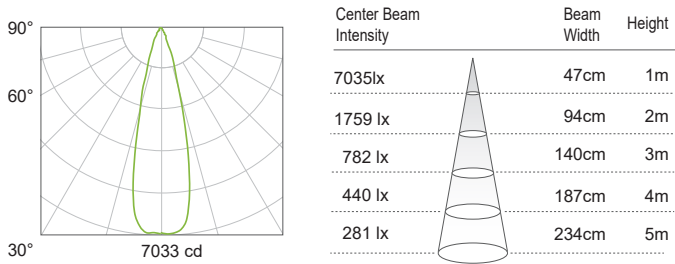
17W | 90CRI | 3000K

MULTIPLYING FACTORS: (Multiplying Factor is based on 3000K-90+CRI IES file on website)

CCT	2700K-90+	3000K-90+	3500K-90+	4000K-90+
Factors	0.97	1.0	1.04	1.04

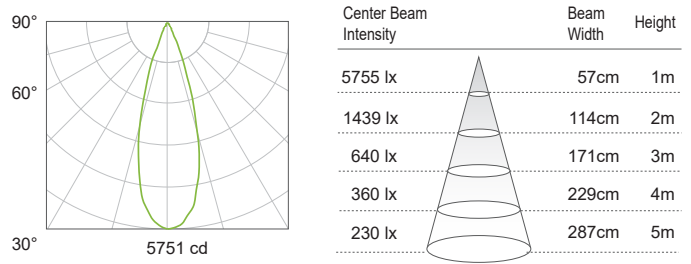
Spot 26°

Delivered Output : 1897 lm | CBCP : 7003 cd | Beam Angle : 26°



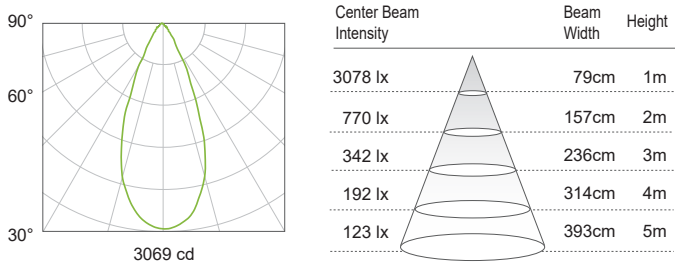
Medium 32°

Delivered Output : 1905 lm | CBCP : 5720 cd | Beam Angle : 32°



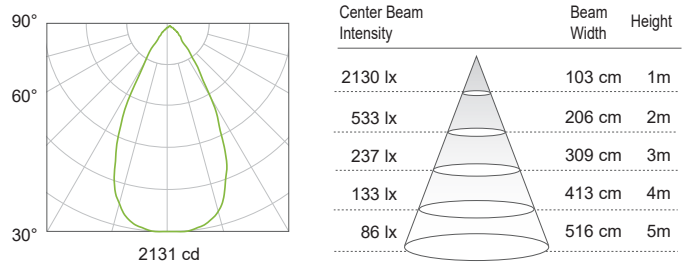
Wide 43°

Delivered Output : 1744 lm | CBCP : 3062 cd | Beam Angle : 43°



Flood 54°

Delivered Output : 1781 lm | CBCP : 2129 cd | Beam Angle : 54°



Accessory

PRODUCT	PRODUCT	FINISH	PRODUCT	FINISH
CLSFL5HCL Honey Comb Louver kit	FL500 SAG Shorter Angle snoot	WH WH (White) BK (Black) BZ (Bronze) SA (Silver)	FL500 LAG Long Angle snoot	WH WH (White) BK (Black) BZ (Bronze) SA (Silver)
				