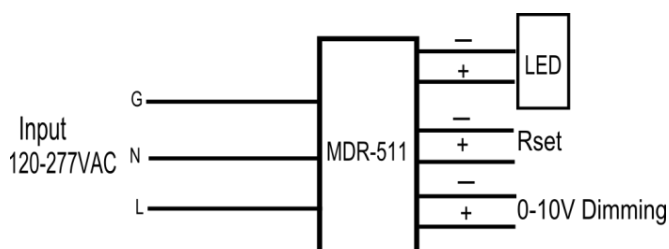


Features

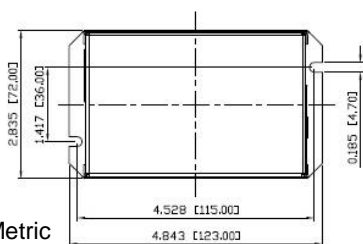
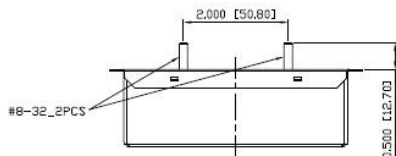
- Constant Current Output
- 0-10V & ELV Dimming
- Class 2 compliance
- 5 Year Warranty
- Adjustable Current Output
- Bottom / Side wire insert

Wiring Diagram



Mechanical and Thermal

Dimensions	L4.843"xW2.835"xH1.480"
Weight	360 g
Lead Wire Length	Push In Connector
Max. Case Operation Temp.	80°C



* Dimension

in Inch/Metric

Protection

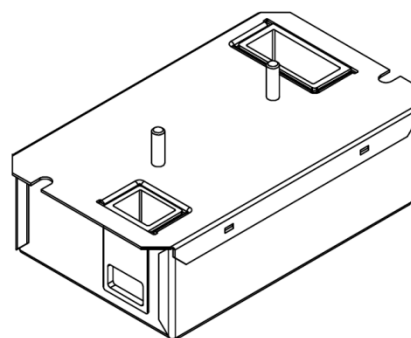
- Auto-reset electronic short circuit
- Overload protection
- Inherent Thermal Protection
- Hot Wire Protection

Environmental Specifications

- Operating Temperature -20° to 60°C
- Storage Temperature -20° to 70°C
- MTBF >100,000 hrs
- RoHS Compliant
- Lead Free SMT process

Electrical

Maximum Load	50W
Input Voltage	120-277V/60Hz
Output Voltage	33 - 50VDC
Output Current	710 - 1000mA
Power Factor	>0.90 (12-35W)
Efficiency	80 typ.
No Load Loss	<1 W



(Bottom stud is illustrated,
Bottom stud is optional)

Note -

1. UL file No. : E340871



Macron Associate Co. - Power Supply Team

NO.352, Peng-Yi Road, Taiping, Taichung, Taiwan 411

TEL: 886-4-22708357 FAX: 886-4-22767307 Email: macron@macrongroup.com

A0414