



Specter In-Track Adapter

GA-9409-1050-40-LD-3-YY



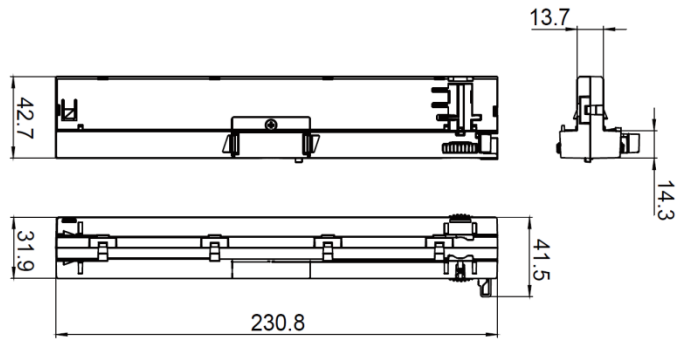
UL File No: E340871

CE Certified

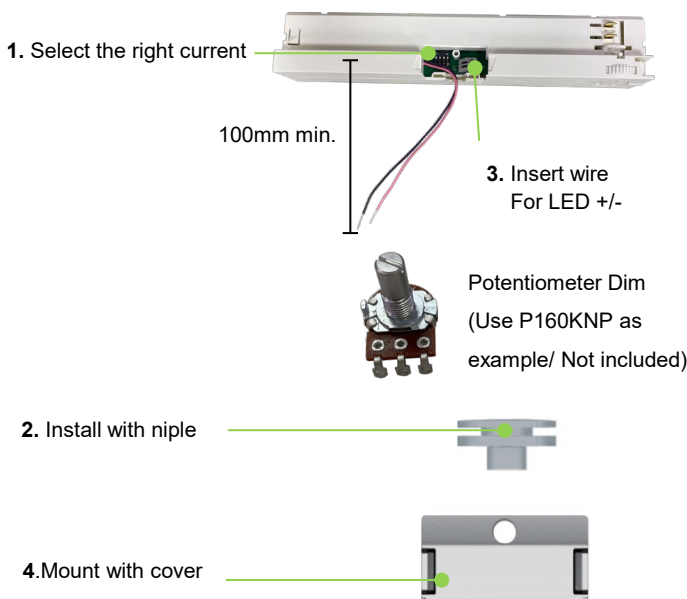
| | |
|---------------------------------|--------------------------------------------------------------------------------------------------------------------|
| Adapter | Stucchi 9409-4-DRI/B |
| Compatible track system | -NA Globaltrac pro -Concord -Eutrac 25101 -Hoffmeister -IG STD 677 -Ivela -Stucchi -Unipro T3 |
| LED Driver Specification | 120-277 V, 250-1050 mA (DIP Switch) (See the page2-4) |
| Dimming | Potentiometer Dim |

Mechanical

* Dimension in metrics



Installation Notes



Example Fixture



Macron Associate Co. – Power Supply Team

NO.352, Perng-Yi Road, Taiping, Taichung, Taiwan 411

TEL: 886-4-22708357 FAX: 886-4-22767307 Email: macron@macrongroup.com

B0320

1. Input - specification

| | Units | Minimum | Typical | Maximum | Notes |
|----------------------------------|-------------------------------------------------------|----------------------------|---------|------------------------------|--------------------------------------------------------------------------|
| Input Voltage Range(Vin) | Vac | 108 | 120-277 | 304 | |
| Input Frequency Range | Hz | 50 | 60 | 63 | |
| Input Power | W | | 49 | | |
| Power Factor(PF) | | 0.9 | >0.9 | | From 100% to 80% of rated power |
| Input Current | A | - | - | 0.41A@120VAC 0.18A@277VAC | |
| Inrush Current | A | Meet NEMA 410 requirements | | | See the inrush current information |
| Total Harmonics Distortion (THD) | | | | 20% | At nominal input voltage and nominal LED voltage |
| Efficiency | | - | >80% | - | Efficiency is measured after driver has thermally stabilized + full load |
| Isolation | Meet UL1310/UL8750 for class 2 isolation power supply | | | | |

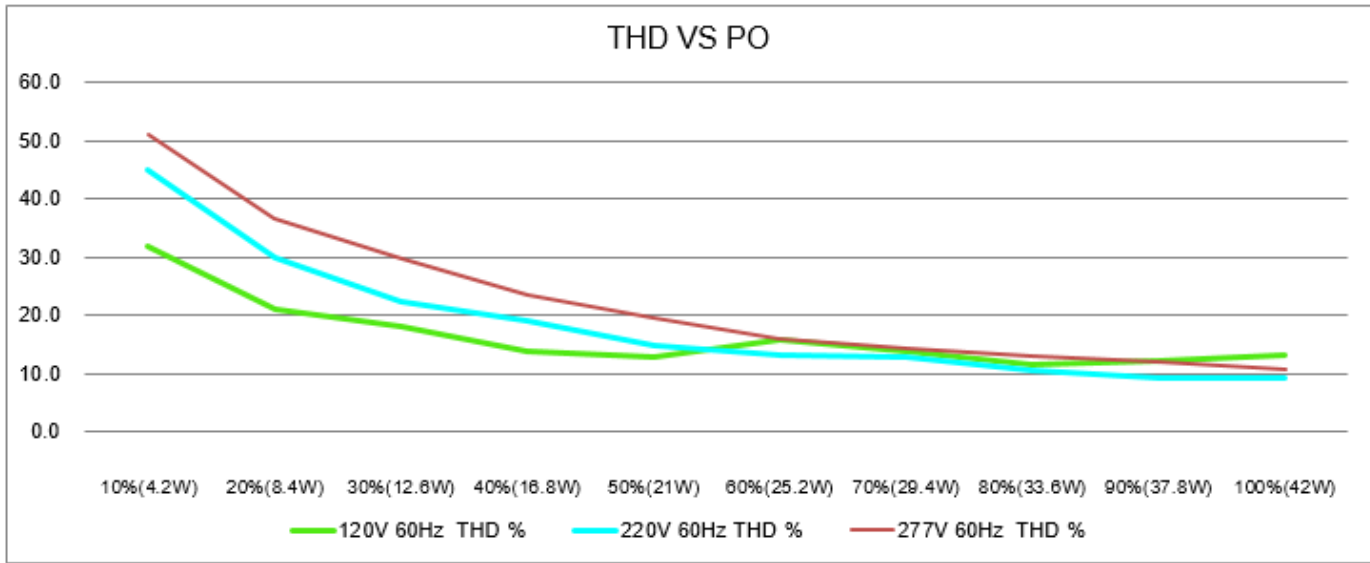
2. Output - specification

| | Units | Minimum | Typical | Maximum | Notes |
|----------------------------|-------------------------------------------------------|----------------|----------|---------|-----------------------------------------------------------------------------------------------------------------------------------------------------------------------------------------------|
| Output Voltage(Volt) | Vdc | 15 | | 40 | |
| Output Current(Iout) | mA | | 250-1050 | | |
| Output Current Tolerance | % | | ±3 | | |
| Output Ripple Current | < 30% peak-to-peak of 250-1050 mA | | | | ≤20% pk-to-pk of the rated output current for all models with Vout max≥40V |
| | | | | | ≤50% pk-to-pk of the rated output current for all models with Vout max≤15V |
| | | | | | At nominal LED voltage and nominal input voltage without dimming |
| Dimming Range | % | 3% | | 100% | Please refer to Dimmer compatibility list |
| Star-up Time | ms | | 200-250 | | <ul style="list-style-type: none"> Measured at the Maximum load and normal input voltage. Complies with California title 24 and Energy star® luminaire specification. |
| Isolation | Meet UL1310/UL8750 for class 2 isolation power supply | | | | |
| Operation Case Temperature | °C | -30 | | 80C | |
| Audible Noise | dB | < 24dB Class A | | | |

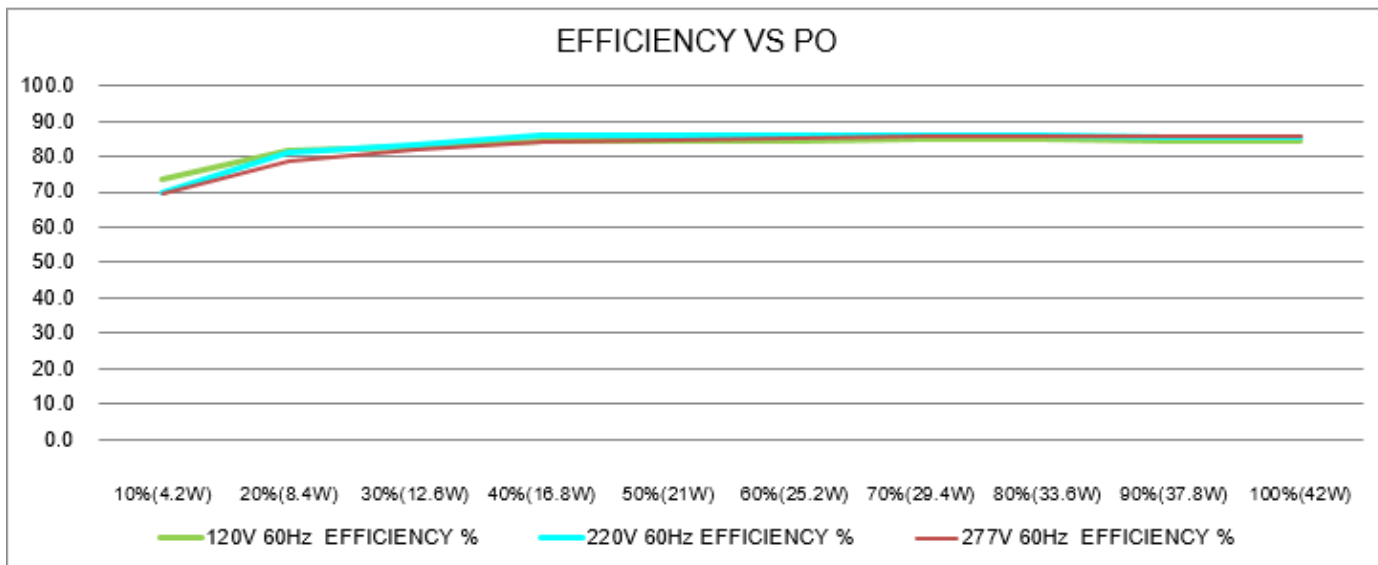
3. EMC / Protection / Compliance

| | | | | | |
|----------------------------|-------------------------------|--------------------------------------------------------------------------|----------------------------------------------------------------------------------|--|--|
| Conducted and Radiated EMI | | FCC CFR Title 47 Part 15 Class B and EN55015(CISPR 15) Class B compliant | | | |
| Immunity Compliance | ESD (Electrostatic Discharge) | IEC61000-4-2 | 6 kV contact discharge, 8 kV air discharge, level 3 | | |
| | Electrical Fast Transient | IEC61000-4-4 | ±2 kV on AC power port for 1 minute, ±1kV on signal/control lines | | |
| | Surge | IEC61000-4-5 | ±2kV line to line/±2kV line to earth on AC power port, ±0.5kV for outdoor cables | | |
| Transient Protection | Ring Wave | | ANSI/IEEE c62.41-1-2002 & c62.41-2-2002 category A, 2.5kV ring wave | | |

THD of the driver VS Power Output (W) :



Efficiency of the driver VS Power Output (W) :



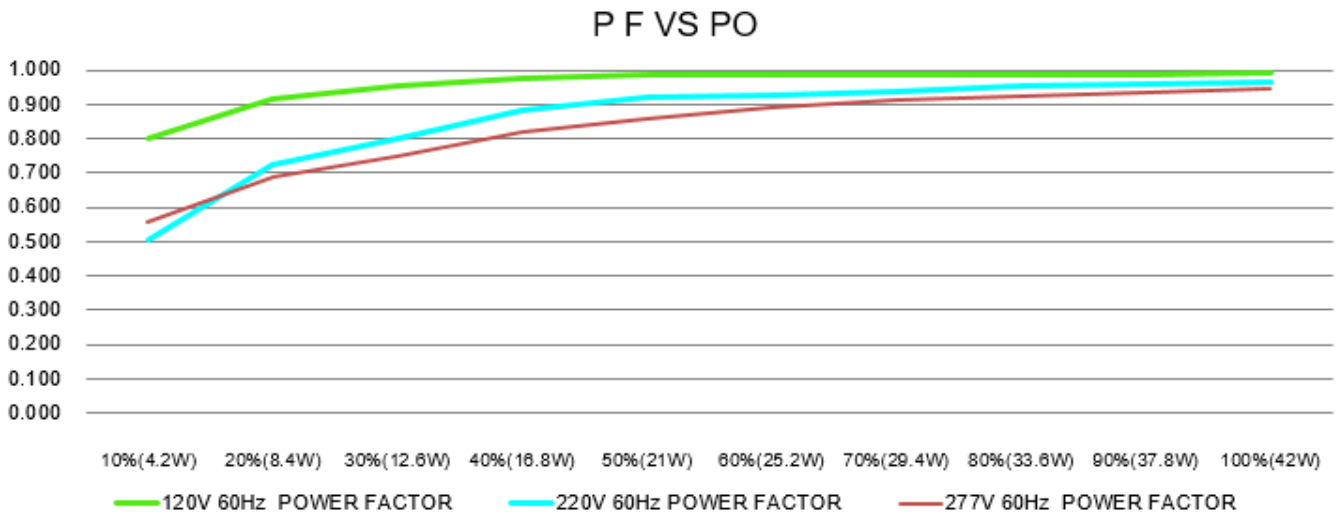
Macron Associate Co. – Power Supply Team

NO.352, Perng-Yi Road, Taiping, Taichung, Taiwan 411

TEL: 886-4-22708357 FAX: 886-4-22767307 Email: macron@macrongroup.com

Electrical Specifications

Power Factor VS Power Output (W):



Macron Associate Co. – Power Supply Team

NO.352, Perng-Yi Road, Taiping, Taichung, Taiwan 411

TEL: 886-4-22708357 FAX: 886-4-22767307 Email: macron@macrongroup.com

Current Settings :

LED Current Tolerance over temperature and component variations is $\leq 5\%$ at any level.

The output current of the driver can be adjusted using the four dip switches provided on the top of the driver. The below pictures shows the switch positions required to set the current to different levels.

| A out | 1.05 | 0.95 | 0.90 | 0.80 | 0.80 | 0.70 | 0.65 | 0.55 | 0.75 | 0.65 | 0.60 | 0.50 | 0.50 | 0.40 | 0.35 | 0.25 |
|-------|------|------|------|------|------|------|------|------|------|------|------|------|------|------|------|------|
| 1 | ● | ● | ● | ● | ● | ● | ● | ● | ○ | ○ | ○ | ○ | ○ | ○ | ○ | ○ |
| 2 | ● | ● | ● | ● | ○ | ○ | ○ | ○ | ● | ● | ● | ● | ○ | ○ | ○ | ○ |
| 3 | ● | ● | ○ | ○ | ● | ● | ○ | ○ | ● | ● | ○ | ○ | ● | ● | ○ | ○ |
| 4 | ● | ○ | ● | ○ | ● | ○ | ● | ○ | ● | ○ | ● | ○ | ● | ○ | ● | ○ |

The driver will be shipped out of factory with all switches set to ON (1050mA).



Macron Associate Co. – Power Supply Team

NO.352, Perng-Yi Road, Taiping, Taichung, Taiwan 411

TEL: 886-4-22708357 FAX: 886-4-22767307 Email: macron@macrongroup.com

Custom Label

Macron Associate Co.

| V in | F(Hz) | A in | W in | A out | V out | W out |
|---------|-------|-----------|------|-----------|-----------|-------|
| 120-277 | 50/60 | 0.18-0.42 | 50 W | 0.25-1.05 | 15-40 VDC | 42 W |
| 120-240 | 50/60 | 0.18-0.42 | 50 W | 0.25-1.05 | 15-40 VDC | 42 W |

Input : 120-277V for North America , 120-240V for Europe

Switch position ● ON ○ Off

| A out | 1.05 | 0.95 | 0.90 | 0.80 | 0.70 | 0.65 | 0.55 | 0.75 | 0.65 | 0.60 | 0.50 | 0.40 | 0.35 | 0.25 |
|-------|------|------|------|------|------|------|------|------|------|------|------|------|------|------|
| 1 | ● | ● | ● | ● | ● | ● | ● | ○ | ○ | ○ | ○ | ○ | ○ | ○ |
| 2 | ● | ● | ○ | ○ | ○ | ○ | ● | ● | ● | ● | ○ | ○ | ○ | ○ |
| 3 | ● | ○ | ○ | ○ | ○ | ○ | ○ | ○ | ○ | ○ | ○ | ○ | ○ | ○ |
| 4 | ○ | ○ | ○ | ○ | ○ | ○ | ○ | ○ | ○ | ○ | ○ | ○ | ○ | ○ |

Model number : GA-9409-1050-40-LD-3-YY

CLASS 2 Driver for LED Loads

Input L N LED Controlgear LED • tc 80 c Damp Location

The controlgear is intended to be used with one LED module
Designed for P160KNP Potentiometer

Track adapter
produced by

STUCCHI
A.A.G.
Follow your illumination

RoHS COMPLIANT FC

UL Pending
Assembly in TAIWAN www.macrongroup.com



Macron Associate Co. – Power Supply Team

NO.352, Perng-Yi Road, Taiping, Taichung, Taiwan 411

TEL: 886-4-22708357 FAX: 886-4-22767307 Email: macron@macrongroup.com